



www.iBoardTouch.com

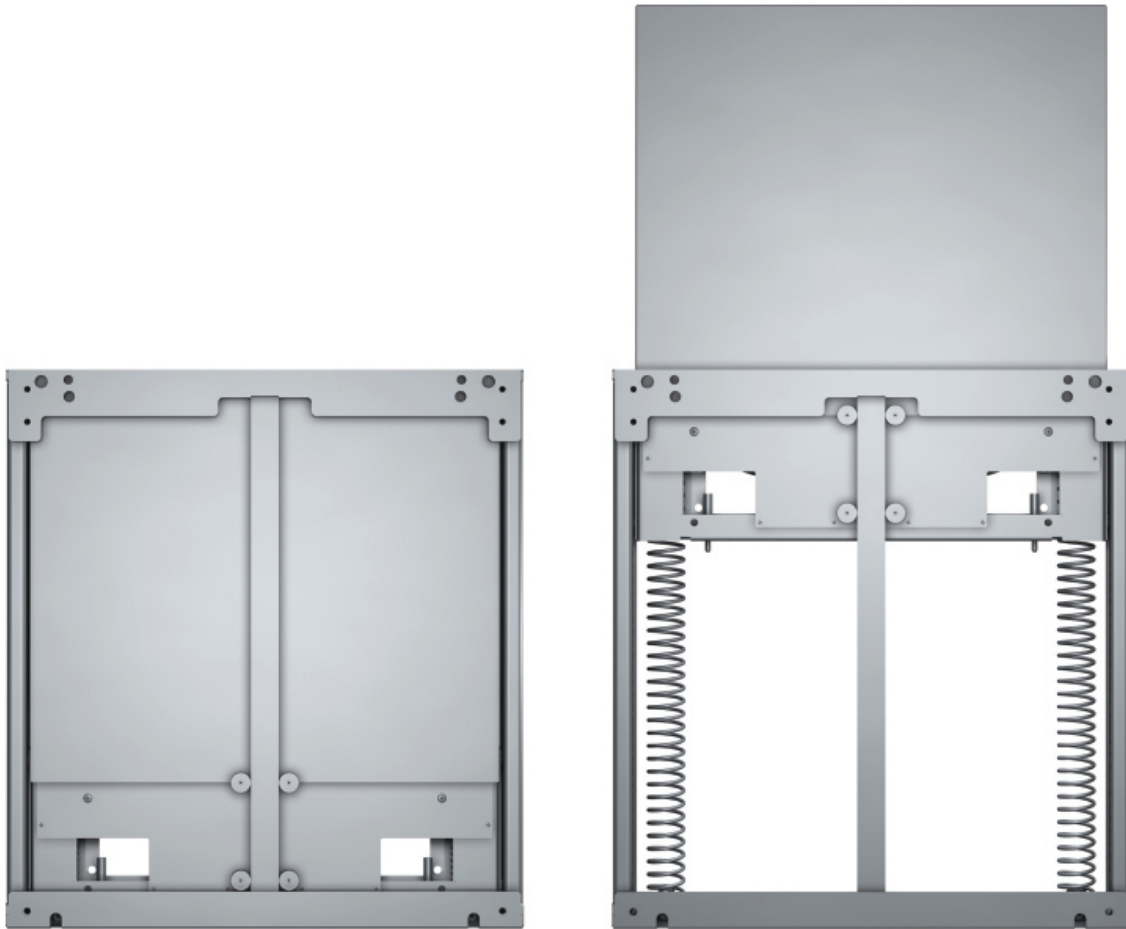
## iBT Wall Lifts

iBTWALLLIFT-02

Supports up to 90kg ●

Suitable for 42", 55", 65" & 70" ●

Manual Counter Balance Wall Lift ●



The WallLift-02 is the perfect solution to move your touchscreen up and down. It offers a partially overlapping weight range giving the installer the choice between a travel of 400mm and 650mm. With a weight capacity of up to 90kg, the iBT WallLift-02 offers a compact and stylish stainless steel design that is hidden behind the touchscreen.

Material: Steel frame, zinc plated for corrosion resistance and stainless steel brushed wall frame cover.

Weights & dimensions	Width mm	Height mm	Depth mm	Weight kg
Shipping dimensions	610	655	95	22,5
Product dimensions	558	600	74	22

meeting rooms

video conferencing

real time collaboration

classrooms

lecture theatres

digital signage



www.iBoardTouch.com

## iBT Wall Lifts

iBTWALLLIFT-02

Supports up to 90kg ●

Suitable for 42", 55", 65" & 70" ●

Manual Counter Balance Wall Lift ●

### ● Key Features

Ergonomics: smooth, effortless

Compact design: hidden behind your touchscreen

Intuitive high-low adjustment

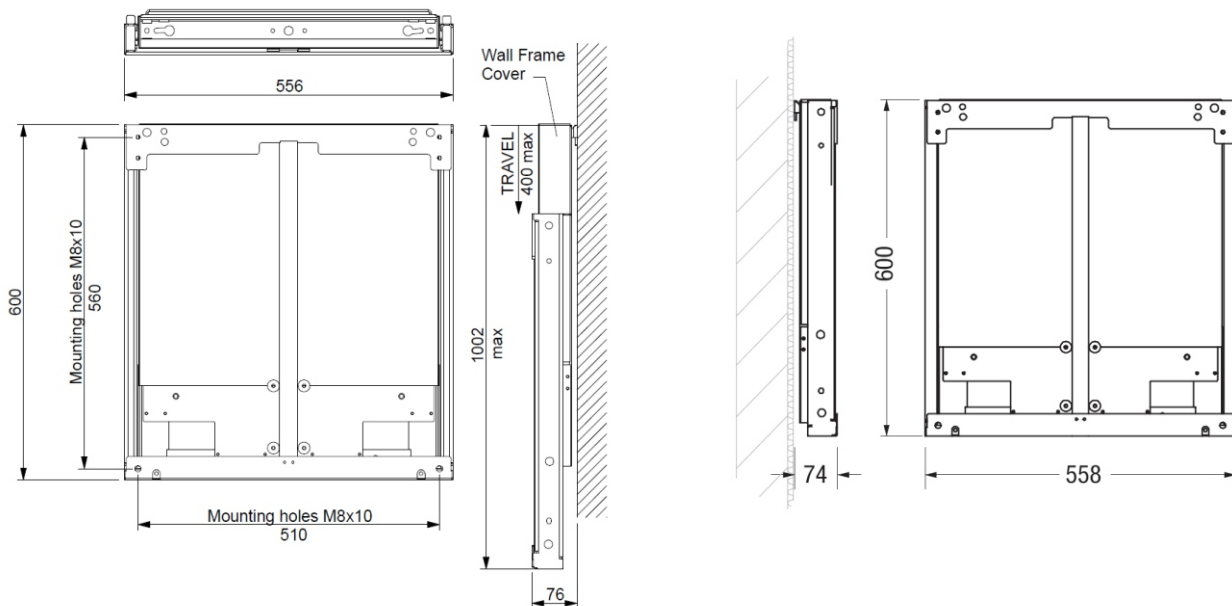
Extremely reliable; tested to 60,000 cycles (10 years of usage)

Fast and easy mounting

Low transportation costs

No maintenance needed

### ● Dimensions



### ● What's included

Counter Balance and instruction manual

Wall mounting bracket

Brushed stainless steel wall frame cover and fasteners.

Not included (required for installation):

13 mm hex socket

Flatscreen mounting interface for Counter Balance

Fasteners for wall mounting (depending on the situation)

meeting  
rooms

video  
conferencing

real time  
collaboration

classrooms

lecture  
theatres

digital  
signage



www.iBoardTouch.com

## iBT Wall Lifts

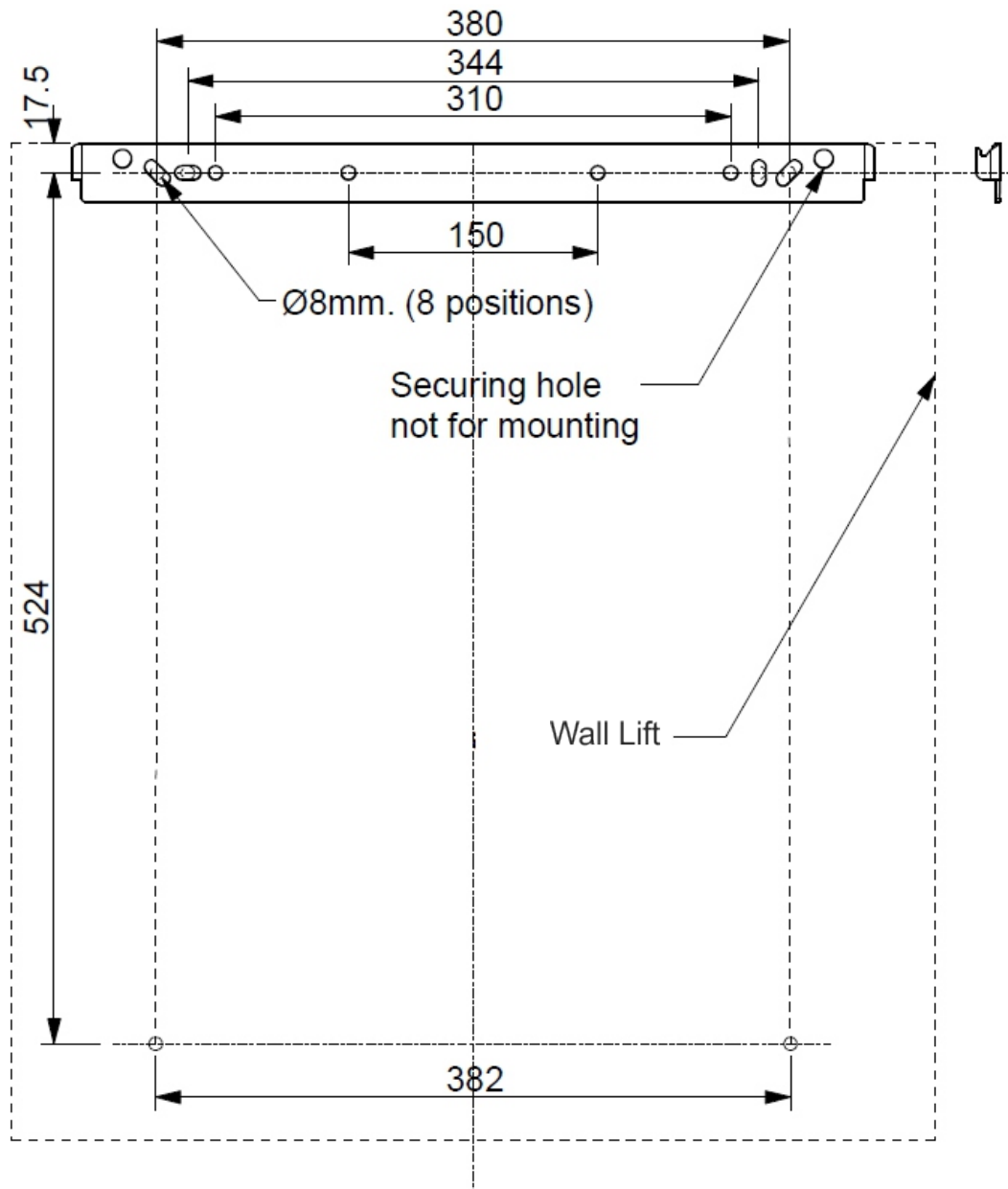
iBTWALLLIFT-02

Supports up to 90kg ●

Suitable for 42", 55", 65" & 70" ●

Manual Counter Balance Wall Lift ●

● Mounting Hole Positions



meeting rooms

video conferencing

real time collaboration

classrooms

lecture theatres

digital signage